

55MM WIDESPAN ROLLER SHUTTER

(Widespan Residential/Light Commercial)



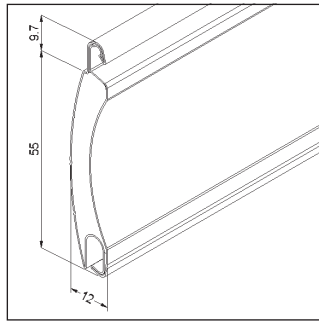
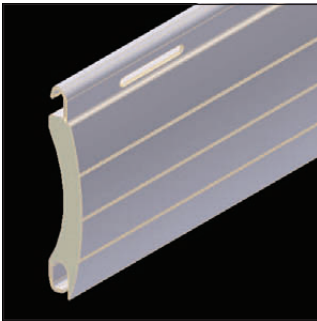
This roller shutter range is made with a precision roll formed roller shutter profile, and is suitable for many widespan applications.

SUITABLE APPLICATIONS

- Domestic Windows.
- Domestic Doorways.
- Garage Doors.
- Light Commercial Shop Fronts & Windows.
- Counter Tops/Serveries.
- Entry Level Protection for Factories, Warehouses, Clubs, Pubs & Hotels, Restaurants, Pharmacies & Sports Complexes.

FEATURES

- High quality aluminium alloy construction.
- Foam filled profile for additional strength, protection and smooth operation.
- High quality painted finish.
- Smooth and curved face profile.
- Roll-tight design.
- Range of colours.
- Double coated + lacquer for abrasion resistant finish.
- Heavy duty steel axle with high quality internal sealed bearings.
- Suitable for widespan widths up to 4500mm.
- Can be manually operated or motorised.
- Made in Australia.



TECHNICAL SPECIFICATIONS

Maximum Shutter Width	4500mm
Maximum Shutter Height	3000mm
Maximum Surface Area	10m ²
Curtain Weight/Metre ²	4kg
Number Of Slats/Metre	18
Profile Slat Covering	55mm
Profile Slat Thickness	12mm
Axle Types	Octagonal Steel
Bottom Bar Dimensions	55mm x 8.5mm
Guide Dimensions	68mm x 25mm/18mm
Paint Finish	Polyurethane/Polyamide (PU/PA)
Inner Profile Foam Type	Poly Urethane (CFC Free)



MADE TO MEASURE ROLLER SHUTTERS

PELMET SIZES & MAXIMUM SHUTTER HEIGHT

Pelmet Box Size	Max. No. Of Slats	Max. Shutter Height (Including Pelmet)	Axle Size
180mm	32	1850mm	70mm
205mm	42	2400mm	70mm
230mm	53	3000mm	70mm

WIND SPEEDS & MAXIMUM SHUTTER WIDTH

Wind Speed m/sec	Wind Speed km/h	Max. Shutter Width	Max. Surface Area
11.2m/sec	40km/h	4500mm	10m ²
13m/sec	46km/h	4000mm	10m ²
15.8m/sec	56km/h	3300mm	8.25m ²
20.4m/sec	73km/h	2900mm	7.25m ²
25.9m/sec	93km/h	2500mm	6.25m ²
34.9m/sec	125km/h	2400mm	6m ²

ROLLER SHUTTER COLOUR OPTIONS

Profiles	Pelmets/Side Frames/Guides/Bottom Bars
Cream	Cream
Magnolia Cream	Magnolia Cream
Clear Beige	Clear Beige
White	White
Shale Grey	Shale Grey
Brown <i>TBD</i>	Brown
Black	Black
Monument	Monument
Silver	Woodland Grey
Woodland Grey	Surfmist
Surfmist	

TBD - Product to be discontinued in the future or when stock is depleted.

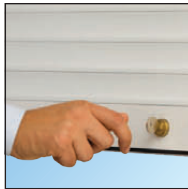
Powder coated options available (charges apply).
Coastal Treatment for side frames is strongly recommended for shutters installed close to beach or other salt water environments.
Request Coastal Treatment on your order.

CONTROL OPTIONS

Manual Options | Motorised Options



Steel Cable Winder (Up To 50Kg)*



Spring Loaded With Key Lock



Remote Control With SolarSmart™ Plus Automation 12V Motor*



PowerSmart™ Control System With 12V Motor (Up To 50Kg)*



Wall Switch With 240V Electric Motor*



Remote Control With 240V Electric SIMU Hz Motor*

Motorised Options (continued)



Key Switch With 240V Electric Motor*



Crank Handle With 240V Electric Manual Override Motor



Remote Control (Key Ring Transmitter) With 240V Electric Motor & Multi-Function SIMU SD100 Hz Radio Receiver & Control Unit*

* Control options must be installed in an indoor environment.

CW Products recommends the use of Photo Safety Cells, a Safety Brake and/or a Safety Edge when installing automated roller shutters over openings and doorways. Especially when the roller shutter is not in full view of the operator (eg. when using a remote control or wall switch positioned away from the roller shutter and out of view). When using a wall switch, we recommend a spring return switch/deadman switch.

To order please complete a **CW Products Made To Measure Roller Shutter Order Form**.