

77MM WIDESPAN ROLLER SHUTTER

(Widespan Residential/Commercial)



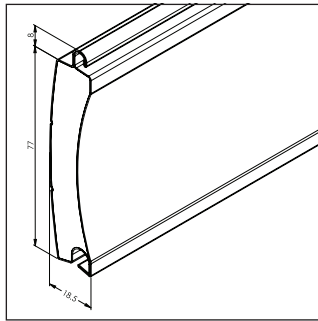
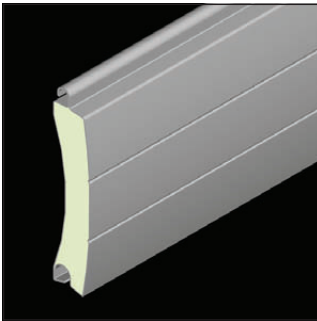
This roller shutter range is made with a precision roll formed roller shutter profile, and is suitable for many widespan applications.

SUITABLE APPLICATIONS

- Residential Garage Doors.
- Commercial Garage Doors.
- Commercial Windows.
- Commercial Shop Fronts & Doorways.
- Entry Level Protection for Factories, Warehouses, Clubs, Pubs & Hotels, Restaurants, Pharmacies & Sports Complexes.

FEATURES

- High quality aluminium alloy construction.
- Foam filled profile for additional strength, protection and smooth operation.
- High quality painted finish.
- Smooth and curved face profile.
- Rolls smaller than traditional steel roller doors.
- Range of colours.
- Double coated + lacquer for abrasion resistant finish.
- Comprehensively engineered for extra strength.
- Heavy duty guides and bottom bar.
- Fully enclosed pelmet with internal rollers and reinforcement side plates.
- Suitable for widespan widths up to 5900mm.
- Made in Australia.



TECHNICAL SPECIFICATIONS

Maximum Shutter Width	5900mm
Maximum Shutter Height	3000mm
Maximum Surface Area	15m ² (depending on wind zone)
Curtain Weight/Metre ²	5kg
Number Of Slats/Metre	13
Profile Slat Covering	77mm
Profile Slat Thickness	18.5mm
Axle Types	Octagonal or Round Steel
Bottom Bar Dimensions	106mm x 19mm
Guide Dimensions	105mm x 37mm/26mm
Paint Finish	Polyurethane/Polyamide (PU/PA)
Inner Profile Foam Type	Poly Urethane (CFC Free)

General Note: All dimensions and colours are indicative only and may change without notice. Profile technical specifications and shutter performance may vary in certain applications, eg. wide applications with no solid structure behind the roller shutter. For more information please contact your CW Products representative.



MADE TO MEASURE ROLLER SHUTTERS

PELMET SIZES & MAXIMUM SHUTTER HEIGHT

Pelmet Box Size	Max. No. Of Slats	Max. Shutter Height (Including Pelmet)	Axle Size
250mm	24	2000mm	101mm with adaptor
300mm	37	3000mm	101mm with adaptor

WIND SPEEDS & MAXIMUM SHUTTER WIDTH

Wind Speed m/sec	Wind Speed km/h	Max. Shutter Width	Max. Surface Area
11.2m/sec	40km/h	4400mm	13.23m ²
13m/sec	46km/h	3520mm	10.56m ²
15.8m/sec	56km/h	3060mm	9.18m ²
20.4m/sec	73km/h	2670mm	8.01m ²

ROLLER SHUTTER COLOUR OPTIONS

Profiles	Pelmets/Side Frames/Guides/Bottom Bars
Cream <i>TBD</i>	Cream
Clear Beige	Clear Beige
White	White
Shale Grey	Shale Grey
Black	Black
Monument	Monument
Woodland Grey	Woodland Grey
Surfmist	Surfmist

TBD - Product to be discontinued in the future or when stock is depleted.

Powder coated options available (charges apply).

Coastal Treatment for side frames is strongly recommended for shutters installed close to beach or other salt water environments. Request Coastal Treatment on your order.

CONTROL OPTIONS

Motorised Options



Wall Switch
With 240V Electric Motor*



Remote Control
With 240V Electric SIMU Hz Motor*



Key Switch
With 240V Electric Motor*



Crank Handle
With 240V Electric Manual Override Motor



Remote Control (Key Ring Transmitter)
With 240V Electric Motor & Multi-Function SIMU SD100 Hz Radio Receiver & Control Unit*

* Control options must be installed in an indoor environment.

CW Products recommends the use of Photo Safety Cells, a Safety Brake and/or a Safety Edge when installing automated roller shutters over openings and doorways. Especially when the roller shutter is not in full view of the operator (eg. when using a remote control or wall switch positioned away from the roller shutter and out of view). When using a wall switch, we recommend a spring return switch/deadman switch. See pages 30 to 33 for more information.

To order please complete a [CW Products Made To Measure Roller Shutter Order Form](#).